

EUREKA

VACUUM CLEANERS

Performance You Expect.

Quality You Demand.

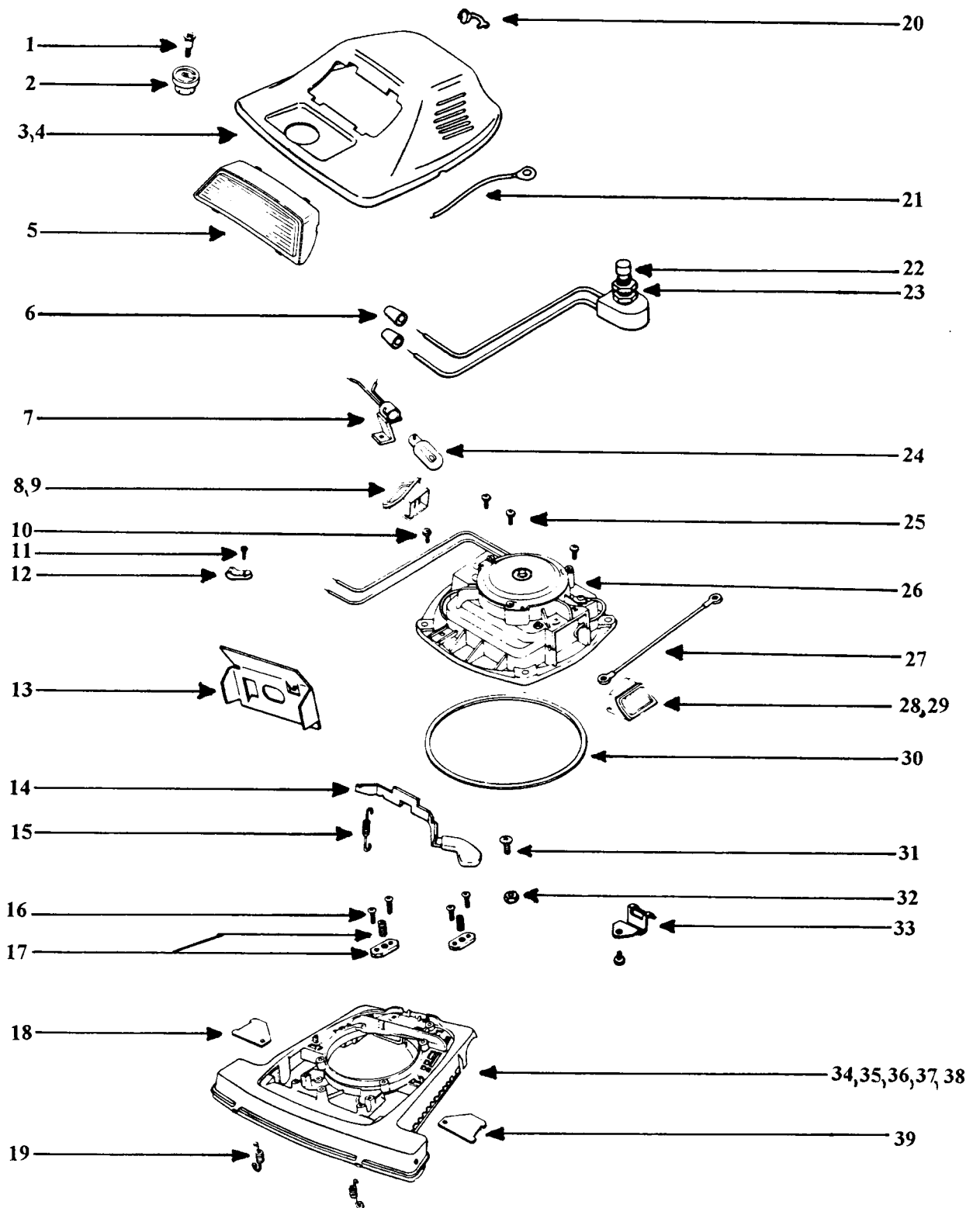
REPAIR PARTS LIST

SANITAIRE

COMMERCIAL UPRIGHT

MODEL

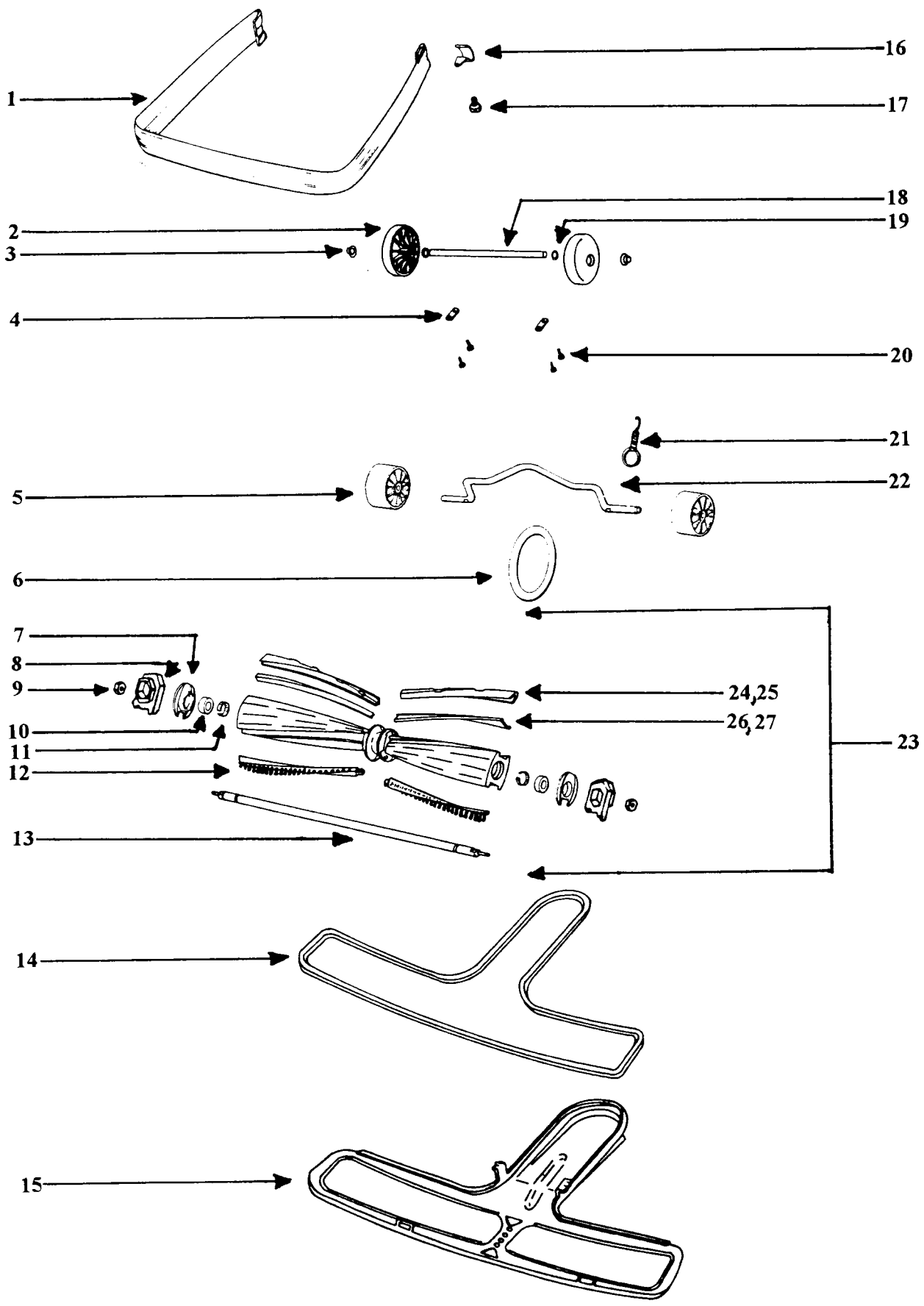
SC899E



SC899E

ITEM#	PART#	DESCRIPTION
1.	53143	SHOULDER SCREW (PKG. OF 10 1 USED)
2.	26833-1	ADJUSTMENT KNOB
3.	* 54098-1	HOOD & NAMEPLATE
4.	37654	NAMEPLATE
	55754	DECAL
5.	12600-22	LENS
6.	53214-1	WIRE NUT (PKG. OF 10 3 USED)
7.	37514	HEADLIGHT SOCKET ASS'Y.
8.	** 56379	AIR INLET DUCT ASS'Y. (R.H.)
9.	49052-3	FOAM TAPE
10.	53238-13	MOTOR MTG. SCREW (PKG. OF 10 1 USED)
11.	53228-2	CLAMP SCREW (PKG. OF 10 1 USED)
12.	53160	CABLE CLAMP (PKG. OF 5 1 USED)
13.	25461	LIGHT SHIELD
14.	24834A-1	FOOT PEDAL
15.	53097	FOOT PEDAL SPRING (PKG. OF 5 1 USED)
16.	53238-13	ADJUSTMENT SCREW (PKG. OF 10 4 USED)
17.	53140	CLAMP & SCREW ASS'Y (PKG. OF 6 2 USED)
18.	36263	WHEEL COVER
19.	53117	HOOD SPRING (PKG. OF 10 2 USED)
20.	53122	STRAIN RELIEF BUSHING (PKG. OF 10 1 USED)
21.	54173-1	WIRE & TERMINAL ASS'Y.
22.	*** 36409-13	PUSH SWITCH (INCLUDES THE FOLLOWING)
	53102	SWITCH WASHER (PKG. OF 10 1 USED)
23.	55446	SWITCH NUT
24.	40009A	BULB
25.	53238-13	MOTOR MTG. SCREW (PKG. OF 10 3 USED)
26.	54352-3	MOTOR ASS'Y.
27.	54177	WIRE & TERMINAL ASS'Y.
28.	**** 56380	AIR DUCT ASS'Y (L.H.)
29.	49052-3	FOAM TAPE
30.	30517	MOTOR MTG. GASKET
31.	53228-2	SCREW (PKG. OF 10 1 USED)
32.	53213-4	NUT (PKG. OF 10 1 USED)
33.	37034	ADAPTER RETAINER SPRING
34.	***** 53500-3	BASE ASS'Y.
35.	24964A	CAM (R.H.)
36.	24965A	CAM (L.H.)
37.	53118	RIVET-CAM (PKG. OF 10 2 USED)
38.	53133	WASHER (PKG. OF 10 2 USED)
39.	36263	WHEEL COVER

*	ITEM 3	INCLUDES ITEM 4
**	ITEM 8	INCLUDES ITEM 9
***	ITEM 22	INCLUDES ITEM 23
****	ITEM 28	INCLUDES ITEM 29
*****	ITEM 34	INCLUDES ITEMS 35,36,37 & 38



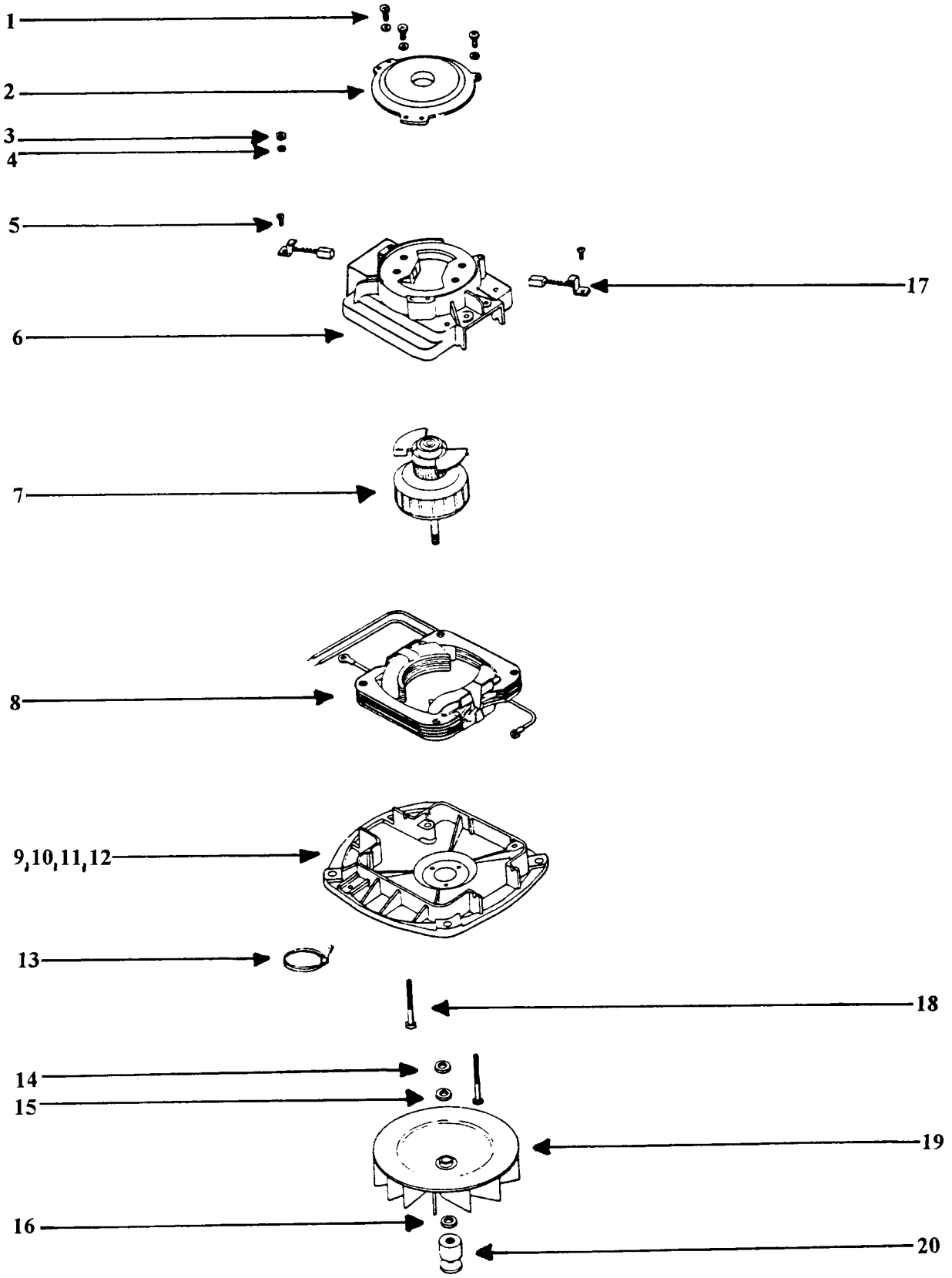
SC899E

ITEM#	PART#	DESCRIPTION
1.	26296-10	FURNITURE GUARD
2.	* 37234-1	WHEEL & AXLE ASS'Y
	26242-1	REAR WHEEL ONLY
3.	53121	PUSHNUT (PKG. OF 10 2 USED)
4.	53201	AXLE CLAMP (PKG. OF 10 2 USED)
5.	35859A-1	FRONT WHEEL
6.	52100	BELT PKG. OF 2 (30563A SINGLE BELT)
7.	26058A	DISTURBULATOR CAP
8.	26059A	CAP COVER
9.	53158	LOCK NUT (PKG. OF 10 2 USED)
10.	53114	BEARING (PKG. OF 6 2 USED)
11.	53115	TOLERANCE RING (PKG. OF 10 2 USED)
12.	52264	BRISTLE STRIP SET
13.	36517	SHAFT
14.	46538-2	FOAM TAPE
15.	** 25672A	BOTTOM PLATE ASS'Y.
16.	25666	FURNITURE GUARD CLIP (2 USED)
17.	53238-10	CLIP SCREW (PKG. OF 10 2 USED)
18.	37183	REAR AXLE
19.	53110	WHEEL WASHER (PKG. OF 10 2 USED)
20.	53238-11	SCREW (PKG. OF 10 4 USED)
21.	53076-2	AXLE SPRING (PKG. OF 6 1 USED)
22.	35947A	FRONT AXLE
23.	*** 53273	DISTURBULATOR ASSEMBLY
24.	25670A	BEATER BAR (LONG)
25.	25671A	BEATER BAR (SHORT)
26.	35895-4	BEATER BAR SUPPORT
27.	35895-3	BEATER BAR SUPPORT

* ITEM 2 INCLUDES ITEMS 18 & 19

** ITEM 15 INCLUDES ITEM 14

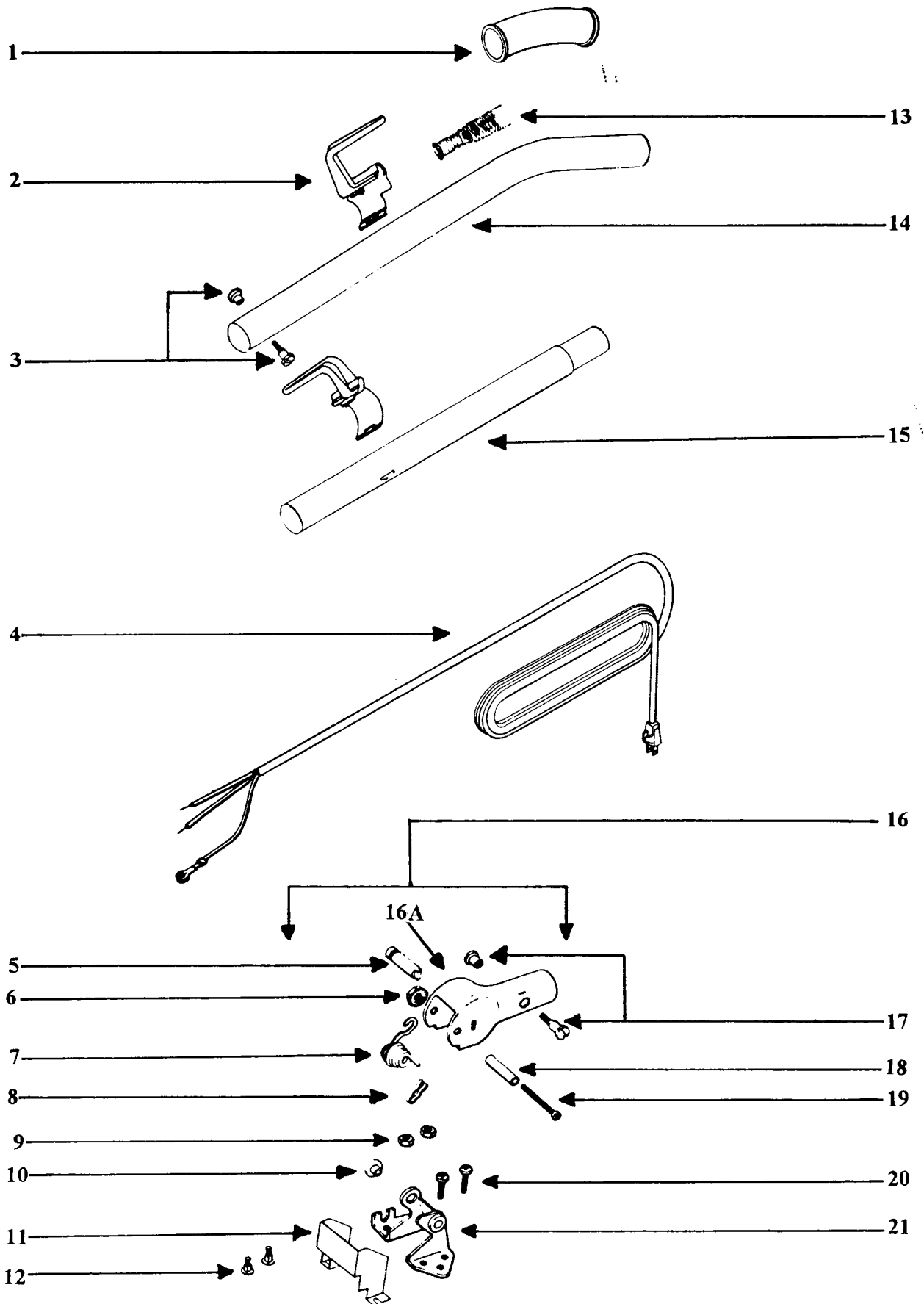
*** ITEM 23 INCLUDES ITEMS 7,8,9,10,11,12,13,24,25,26 & 27



SC899E

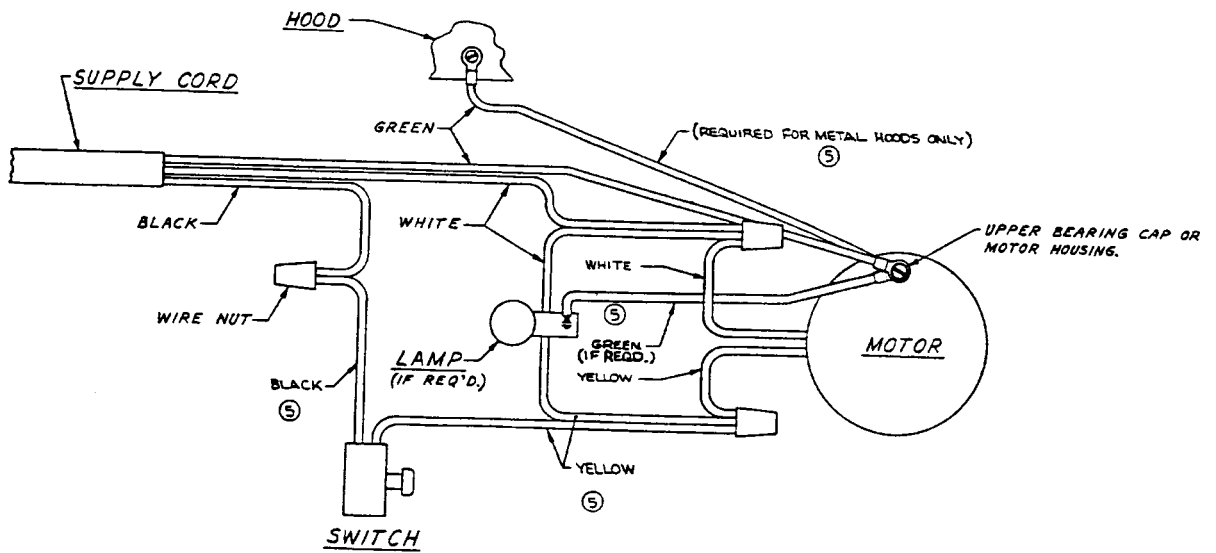
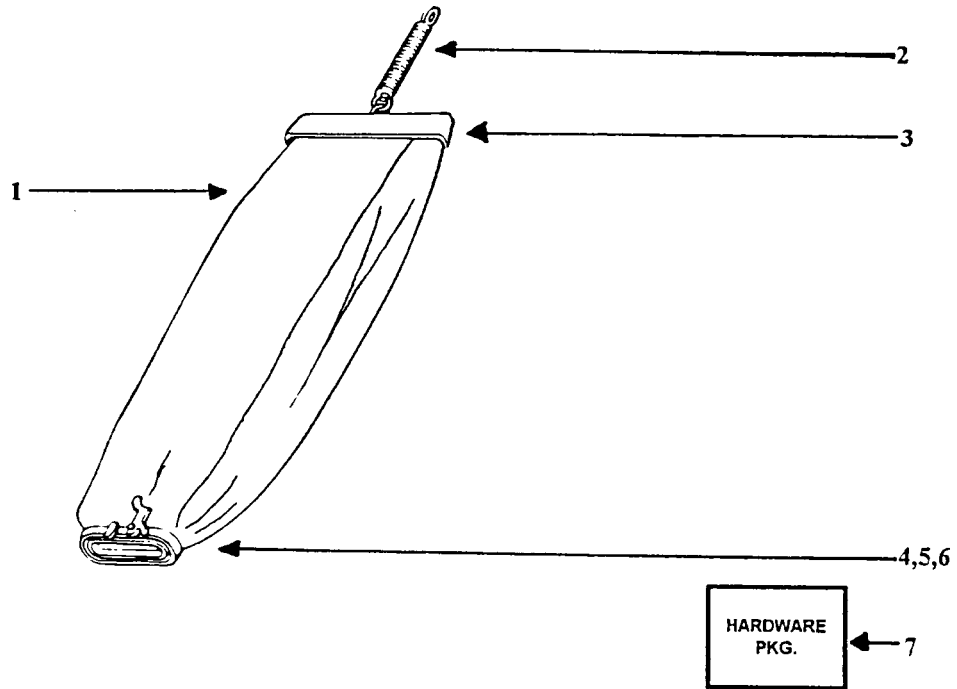
ITEM#	PART#	DESCRIPTION
1.	53138	RETAINER SCREW (PKG. OF 10 3 USED)
2.	20217E	RETAINER ASS'Y.
3.	53213-4	HEX NUT (PKG. OF 10 4 USED)
4.	53222-3	LOCKWASHER (PKG. OF 5 4 USED)
5.	53219-2	BRUSH SCREW (PKG. OF 10 2 USED)
6.	54396	MOTOR COVER
7.	54395-4	ARMATURE & FAN ASS'Y.
	30474A	FAN
8.	53441-2	FIELD ASS'Y.
9.	* 54169-1	MOTOR BASE ASS'Y.
10.	42875	BEARING & RETAINER
11.	53088-1	BEARING (PKG. OF 5)
12.	53187-1	RIVET (PKG. OF 10)
13.	56802-2	CABLE TIE
14.	53188-1	WASHER (PKG. OF 10 1 USED)
15.	53148	FAN WASHER (PKG. OF 10 1 USED)
16.	53148	FAN WASHER (PKG. OF 10 1 USED)
17.	30478	MOTOR BRUSH ASS'Y. (2 USED)
18.	53142	ORLO THD. SCREW (PKG. OF 10 2 USED)
19.	12988	FAN
20.	37012-2	PULLEY

* ITEM 9 INCLUDES ITEMS 10, 11 & 12



SC899E

ITEM#	PART#	DESCRIPTION
1.	35293-8	HANDLE GRIP
2.	53574-1	CORD RETAINER SET
3.	53198-1	SCREW & NUT ASS'Y. (PKG. OF 6 1 USED)
4.	52370-12	SUPPLY CORD
5.	41064F	PIN
6.	53833-3	KEPS NUT (PKG. OF 10 1 USED)
7.	36649	SPRING
8.	53232-2	COTTER PIN (PKG. OF 10 1 USED)
9.	53213-5	NUT (PKG. OF 10 2 USED)
10.	53098	BUSHING (PKG. OF 5 1 USED)
11.	36439	HANDLE SOCKET SHIELD
12.	53145	BOLT (PKG. OF 10 2 USED)
13.	38495	SPRING
14.	* 25329-20	UPPER HANDLE ASS'Y COMPLETE
15.	12637-8	LOWER HANDLE TUBE
16.	** 36648A-2	HANDLE SOCKET ASS'Y COMPLETE
16A	25238-23	HANDLE SOCKET
17.	53198-1	SCREW & NUT ASS'Y (PKG. OF 6 1 USED)
18.	53099	SPACER (PKG. OF 5 1 USED)
19.	53217-7	SCREW (PKG. OF 10 1 USED)
20.	53238-13	SCREW (PKG. OF 10 2 USED)
21.	*** 36521A	BRACKET ASS'Y.
*	ITEM 14	INCLUDES ITEM 1
**	ITEM 16	INCLUDES ITEMS 5, 6, 7, 8, 16A, 18, 19, & 21
***	ITEM 21	INCLUDES ITEM 10



36575 WIRING DIAGRAM

SC899E

ITEM#		PART#	DESCRIPTION
1.	*	54582-1	BAG ASSEMBLY COMPLETE
2.		47722	SPRING
3.		30599D-10	BAG CLIP
4.	**	54174-1	BAG ADAPTER ASS'Y.
5.		48282	GASKET
6.		48748	WASHER
7.		49461A	HARDWARE PACKAGE (INCLUDES THE FOLLOWING) 1 CORD RETAINER SET 2 HANDLE & SCREW ASS'Y.

* ITEM 1 INCLUDES ITEM 2,3,4,5 & 6
** ITEM 4 INCLUDES ITEM 5 & 6