

REPAIR PARTS LIST

SANITAIRE

COMMERCIAL UPRIGHT

MODEL SC887-B

53143 SHOULDER SCREW (PKG. 10 1 USED) →

53122 STRAIN RELIEF BUSHING (PKG. 10 1 USED) →

26833-1 ADJUSTMENT KNOB →

54097-2 HOOD & NAMEPLATE ASS'Y. →

37654 NAMEPLATE

55754 DECAL

60192-1 WIRE SPLICE (PKG. 5 3 USED) →

53228-2 SCREW (PKG. 10 1 USED) →

53160 CABLE CLAMP (PKG. 5 1 USED) →

53238-13 SCREW (PKG. 10 1 USED) →

36409-13 PUSH SWITCH

55446 SWITCH NUT

53102 WASHER (PKG. 10 1 USED)

53238-14 SCREW (PKG. 10 3 USED)

56379 AIR INLET DUCT ASS'Y. (R.H.) →

49052-3 FOAM TAPE

54352-11 MOTOR ASS'Y. →

56380 AIR INLET DUCT ASS'Y.

49052-3 FOAM TAPE

30517 MOTOR MTG. GASKET →

53228-2 SCREW (PKG. 10 1 USED)

53213-4 NUT (PKG. 10 1 USED)

24834A-1 FOOT PEDAL

53097 FOOT PEDAL SPRING (PKG. 5 1 USED)

55296 WIRE & TERMINAL

48820-1 GROUNDING WIRE ASS'Y

53238-14 CLAMP SCREW (PKG. 10 4 USED)

53140 CLAMP & SCREW ASS'Y. (PKG. 6 2 USED)

53228-7 SCREW (PKG. 10 2 USED)

38288-1 CLAMP □

36263 WHEEL COVER →

14763-1 BELLOWS □

53117 HOOD SPRING (PKG. 10 2 USED)

53425-12 BASE ASS'Y. NOT ILLUSTRATED

24964A-1 CAM (R.H.)

24965A-1 CAM (L.H.)

53118 RIVET CAM (PKG. 10 2 USED)

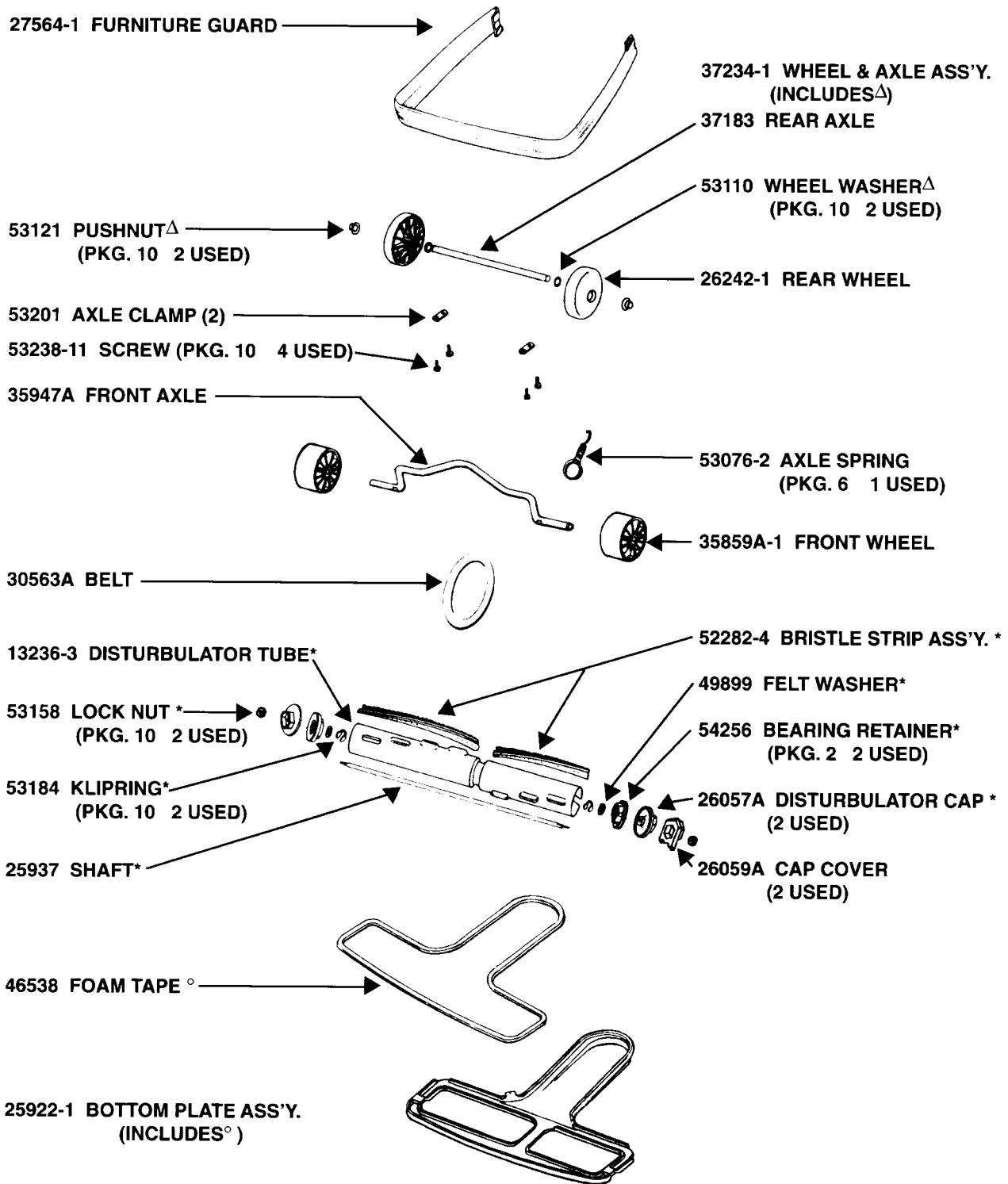
53133 WASHER (PKG. 10 2 USED)

30517 MOTOR SEAL GASKET Δ →

13770-1 FAN CHAMBER COVER Δ →

53238-14 SCREW Δ (PKG. 10 2 USED)

52334 FAN CHAMBER REPLACEMENT KIT (INCLUDES Δ)



NOTE
 PT. NO. 53270
 DISTURBULATOR ASS'Y.
 (INCLUDES*)

54352-11 MOTOR ASSEMBLY

53138

~~53158~~ RETAINER SCREW
(PKG. 10 3 USED)

20217E RETAINER ASSEMBLY

53213-4 HEX NUT
(PKG. 10 4 USED)

53222-3 LOCKWASHER
(PKG. 10 2 USED)

53219-2 BRUSH SCREW
(PKG. 10 2 USED)

30478 MOTOR BRUSH ASSEMBLY (2)

54396 MOTOR COVER

54395-4 ARM, FAN & BEARING ASSEMBLY
53088-1 BEARING (PKG. 5 1 USED)
30474A FAN

53441-10 FIELD ASSEMBLY

54169-1 MOTOR BASE ASSEMBLY
42875 BEARING & RETAINER ASS'Y.
53088-1 BEARING (PKG. 5 1 USED)
53187-1 RIVET (PKG. 10 3 USED)

46713-1 TIE FASTENER

53142 ORLO THD. SCREW
(PKG. 10 2 USED)

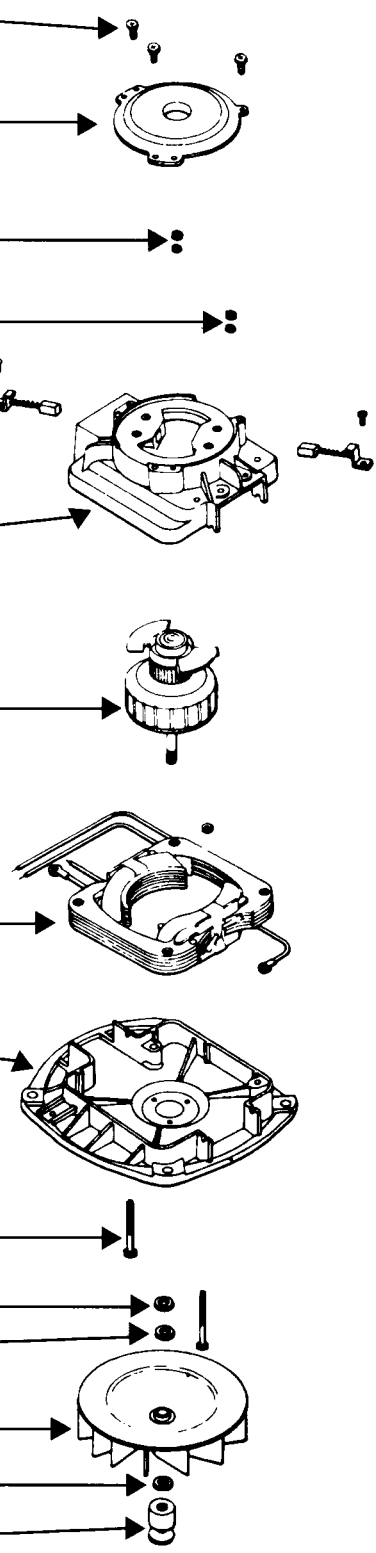
53188-1 WASHER
(PKG. 10 1 USED)

53148 FAN WASHER
(PKG. 10 1 USED)

12988 FAN

53148 FAN WASHER
(PKG. 10 1 USED)

37012-2 PULLEY



35293-6 HANDLE GRIP Δ

14766-2 CORD RETAINER

25329-35 UPPER HANDLE ASS'Y.
(INCLUDES Δ)

53198-1 SCREW & NUT ASS'Y.
(PKG. 6 1 USED)

27261-2 LOWER HANDLE TUBE

52370-12 SUPPLY CORD

53228-2 SCREW
(PKG. 10 1 USED)

38495 SPRING

53198-1 SCREW & NUT ASS'Y.
(PKG. 6 1 USED)

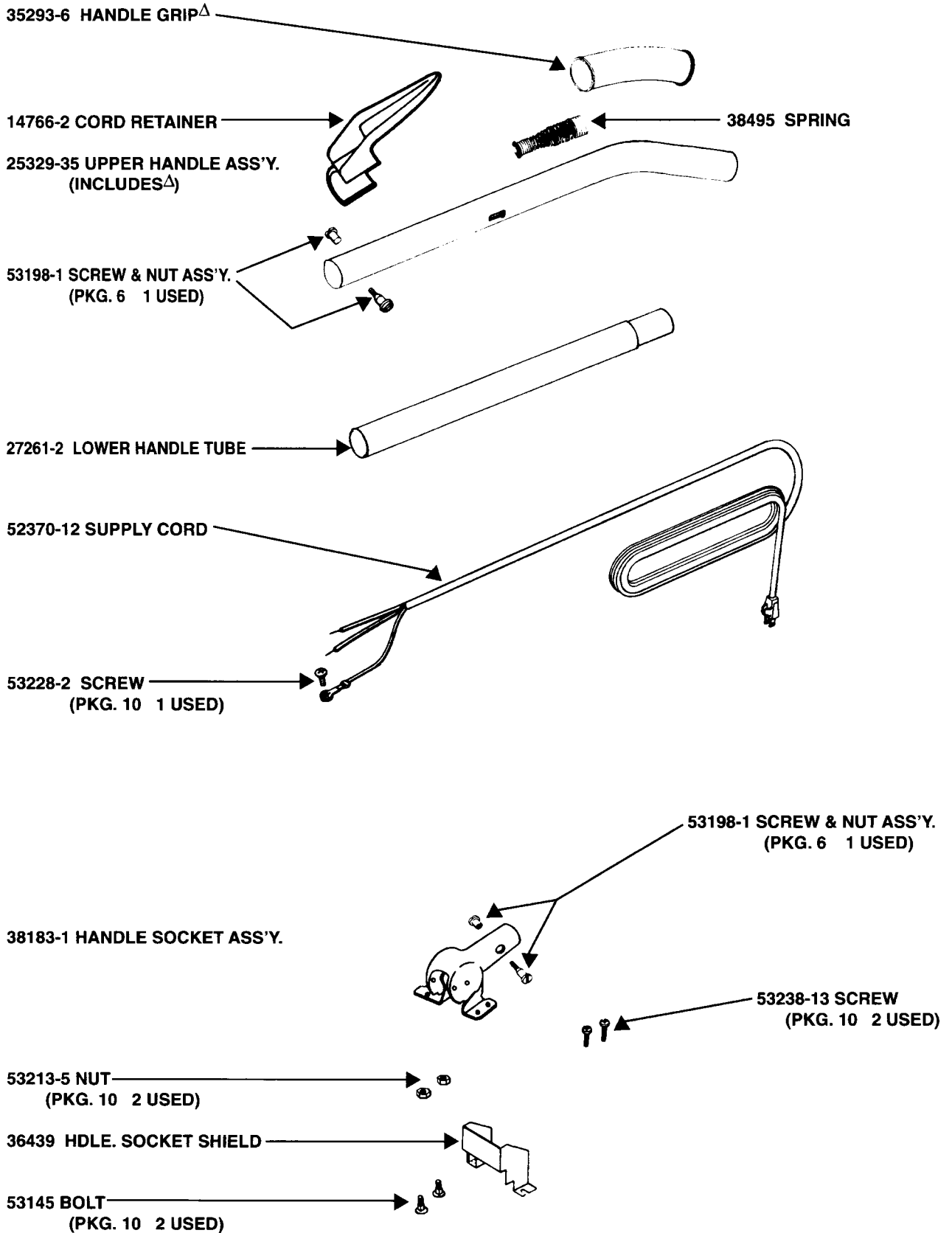
38183-1 HANDLE SOCKET ASS'Y.

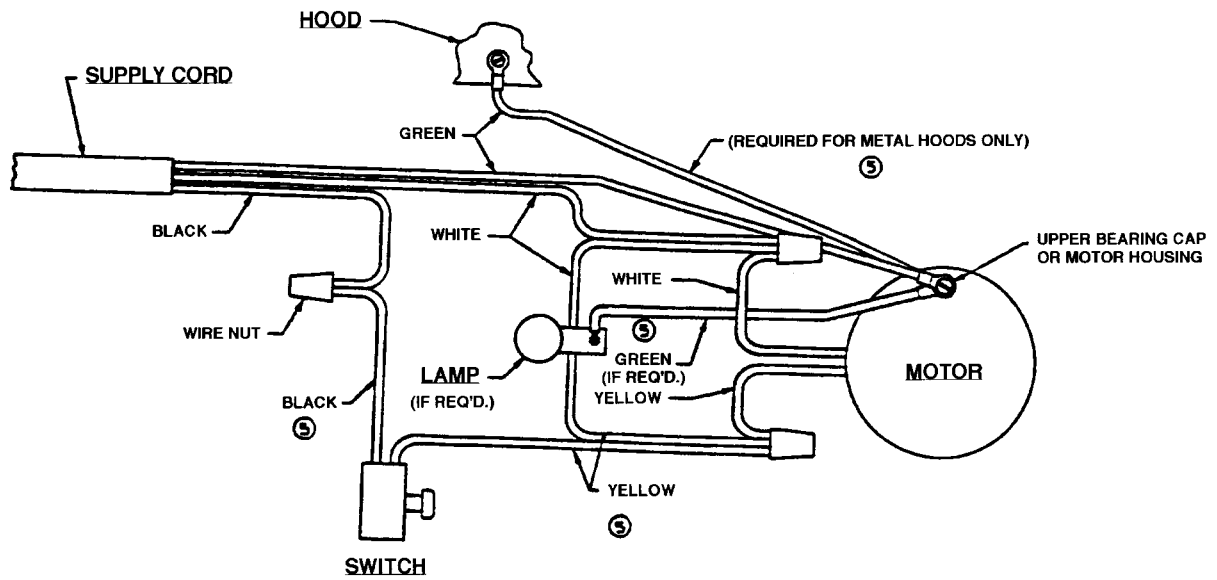
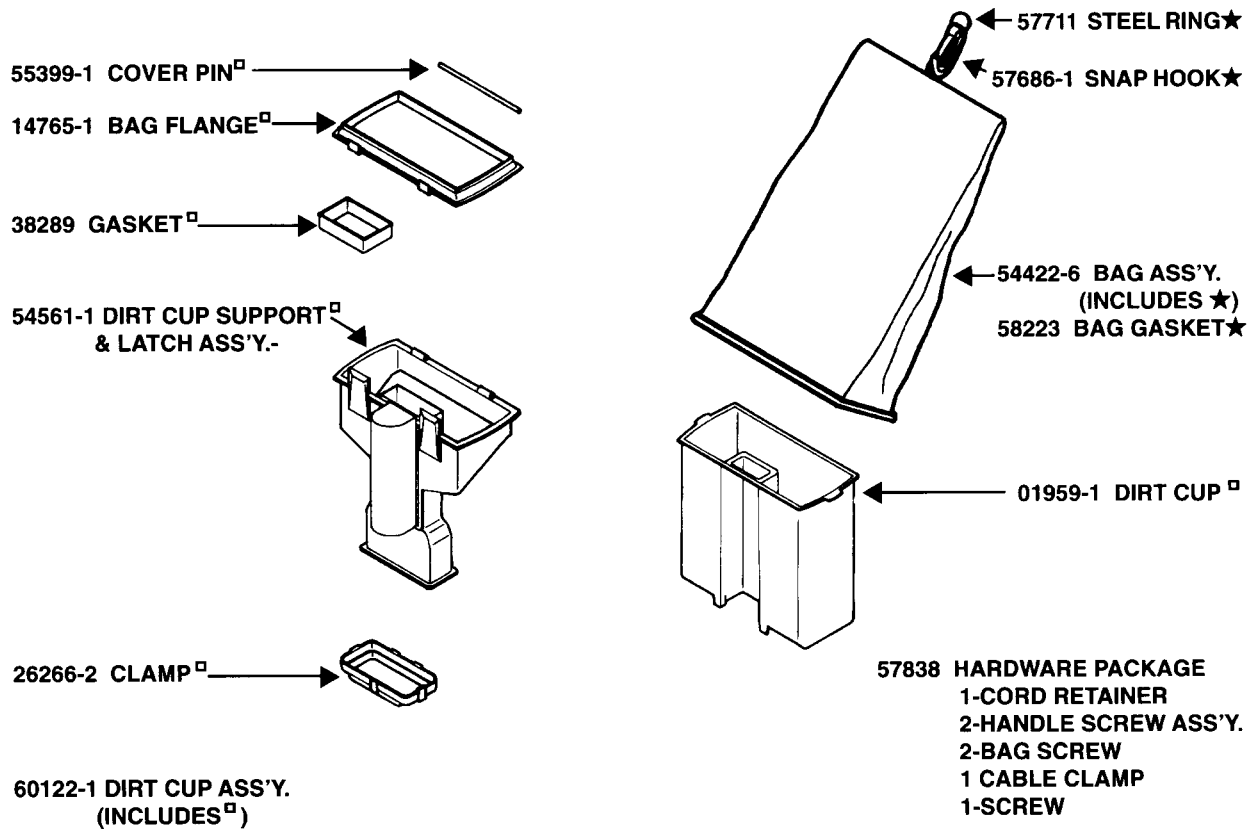
53238-13 SCREW
(PKG. 10 2 USED)

53213-5 NUT
(PKG. 10 2 USED)

36439 HDLE. SOCKET SHIELD

53145 BOLT
(PKG. 10 2 USED)





36575 WIRING DIAGRAM