

***EUREKA***

VACUUM CLEANERS

Performance You Expect.

Quality You Demand.

---

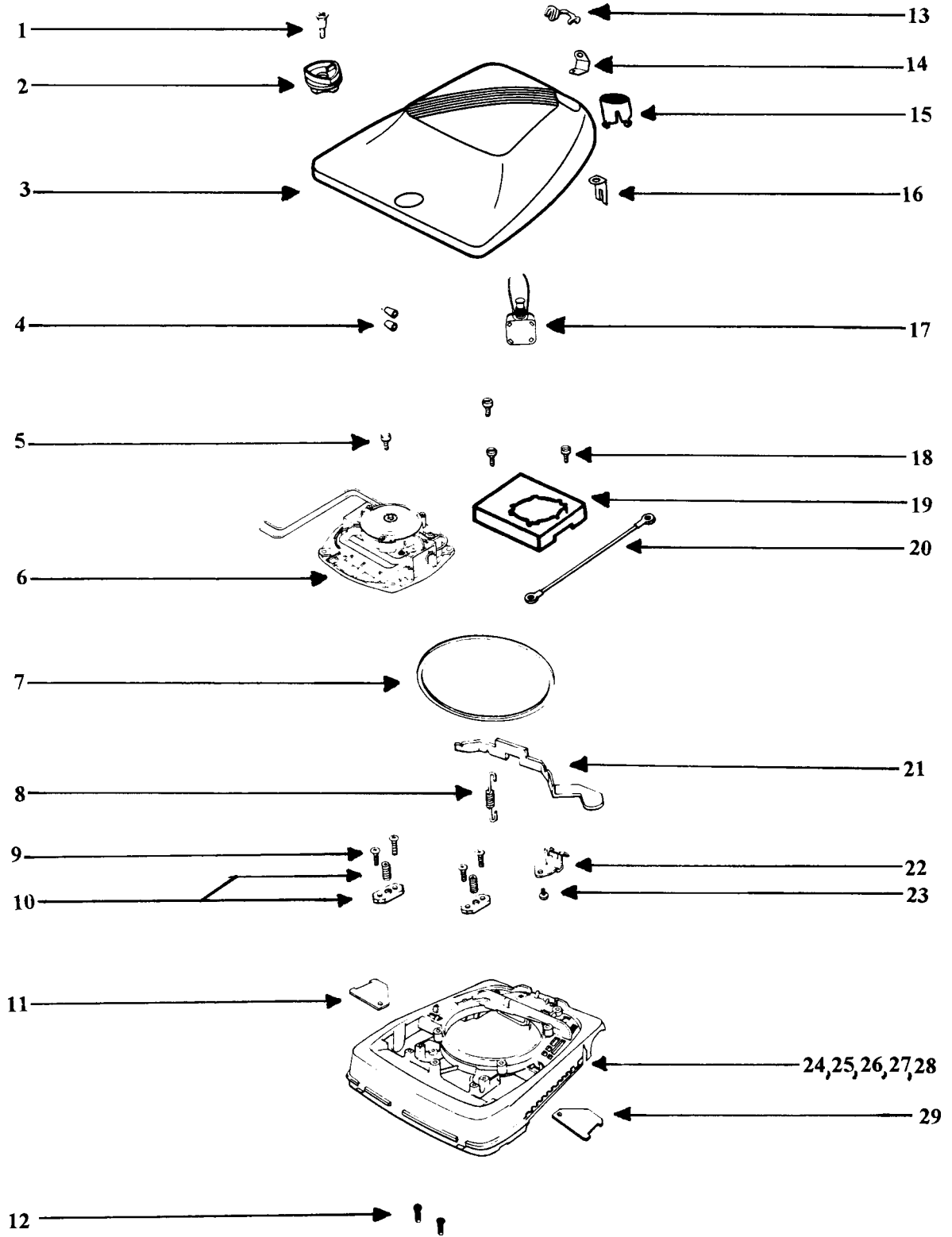
**REPAIR PARTS LIST**

**SANITAIRE**

**COMMERCIAL UPRIGHT**

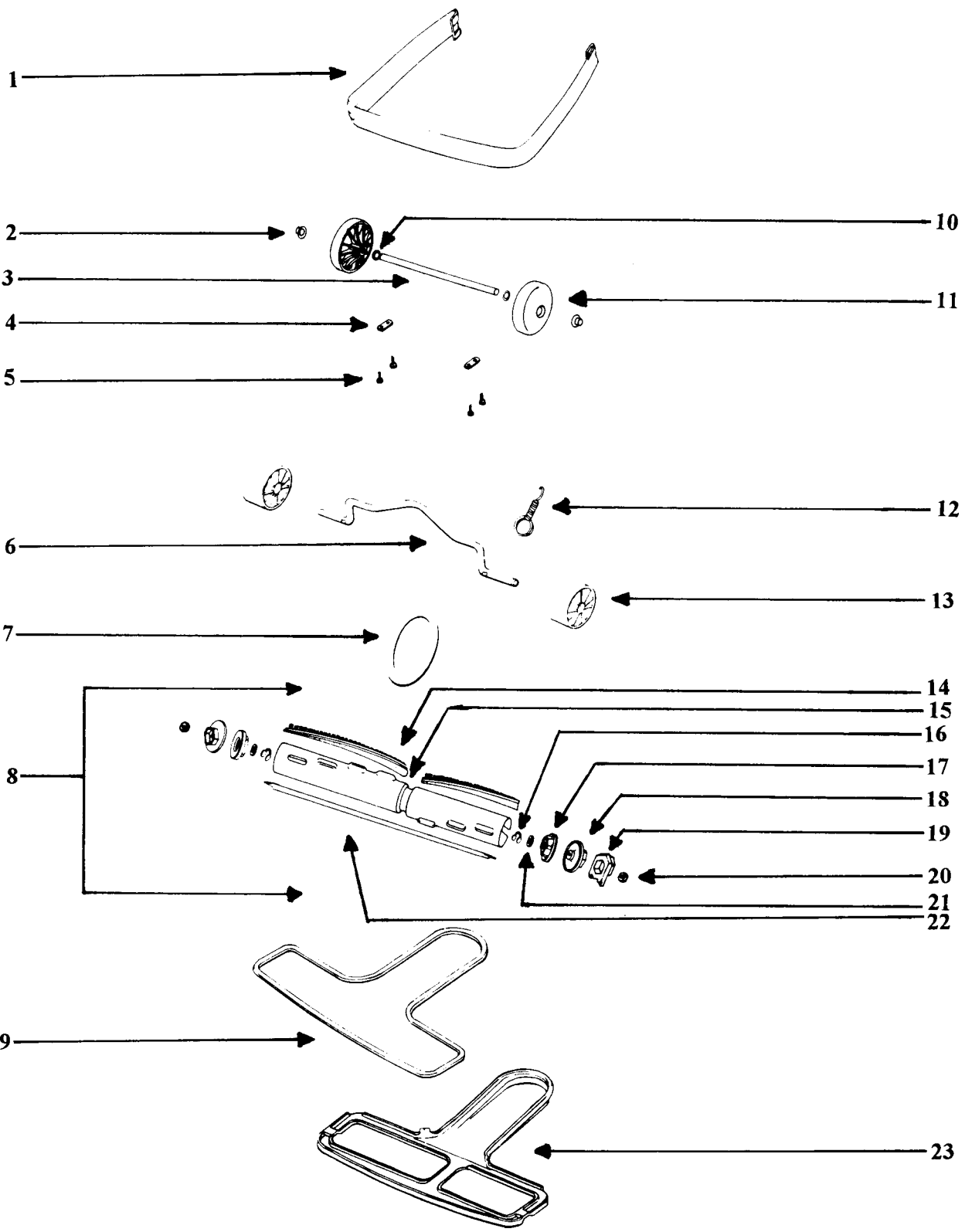
**MODEL**

**SC684F**



## SC684F

| ITEM# | PART#    | DESCRIPTION                                       |
|-------|----------|---|
| 1.    | 53143    | SHOULDER SCREW (PKG. OF 10 1 USED)                |
| 2.    | 38053-2  | ADJUSTMENT KNOB                                   |
| 3.    | 54314-2  | HOOD & GRAPHICS ASS'Y                             |
| 4.    | 53214-1  | WIRE NUT (PKG. OF 10 3 USED)                      |
| 5.    | 53238-13 | MOTOR MTG. SCREW (PKG. OF 10 1 USED)              |
| 6.    | 54352-3  | MOTOR ASSEMBLY                                    |
| 7.    | 30517    | MOTOR MTG. GASKET                                 |
| 8.    | 53097    | FOOT PEDAL SPRING (PKG. OF 5 1 USED)              |
| 9.    | 53238-14 | CLAMP SCREW (PKG. OF 10 4 USED)                   |
| 10.   | 53140    | CLAMP & SCREW ASS'Y (PKG. OF 6 2 USED)            |
| 11.   | 36263    | WHEEL COVER                                       |
| 12.   | 53215-4  | SCREW (PKG. OF 10 2 USED)                         |
| 13.   | 53122    | STRAIN RELIEF BUSHING (PKG. OF 10 1 USED)         |
| 14.   | 38218-1  | BUSHING BRACKET                                   |
| 15.   | 14660-1  | SWITCH BUTTON                                     |
| 16.   | 37989    | SWITCH CLIP                                       |
| 17.   | 54151-2  | PUSH SWITCH                                       |
| 18.   | 53238-14 | SCREW (PKG. OF 10 3 USED)                         |
| 19.   | 38067    | SEPARATOR ASS'Y                                   |
| 20.   | 54177    | WIRE & TERMINAL ASS'Y                             |
| 21.   | 24834A-1 | FOOT PEDAL  |
| 22.   | 37034    | ADAPTER RETAINER                                  |
| 23.   | 53238-11 | SCREW (PKG. OF 10 1 USED)                         |
| 24.   | 57900-2  | BASE ASS'Y (INCLUDES * )                          |
| 25.   | * 24964A | CAM ( R.H. NOT ILLUSTRATED)                       |
| 26.   | * 24965A | CAM ( L.H. NOT ILLUSTRATED)                       |
| 27.   | * 53118  | RIVET - CAM (PKG. OF 10 2 USED) (NOT ILLUSTRATED) |
| 28.   | * 53133  | WASHER (PKG. OF 10 2 USED) (NOT ILLUSTRATED)      |
| 29.   | 36263    | WHEEL COVER                                       |



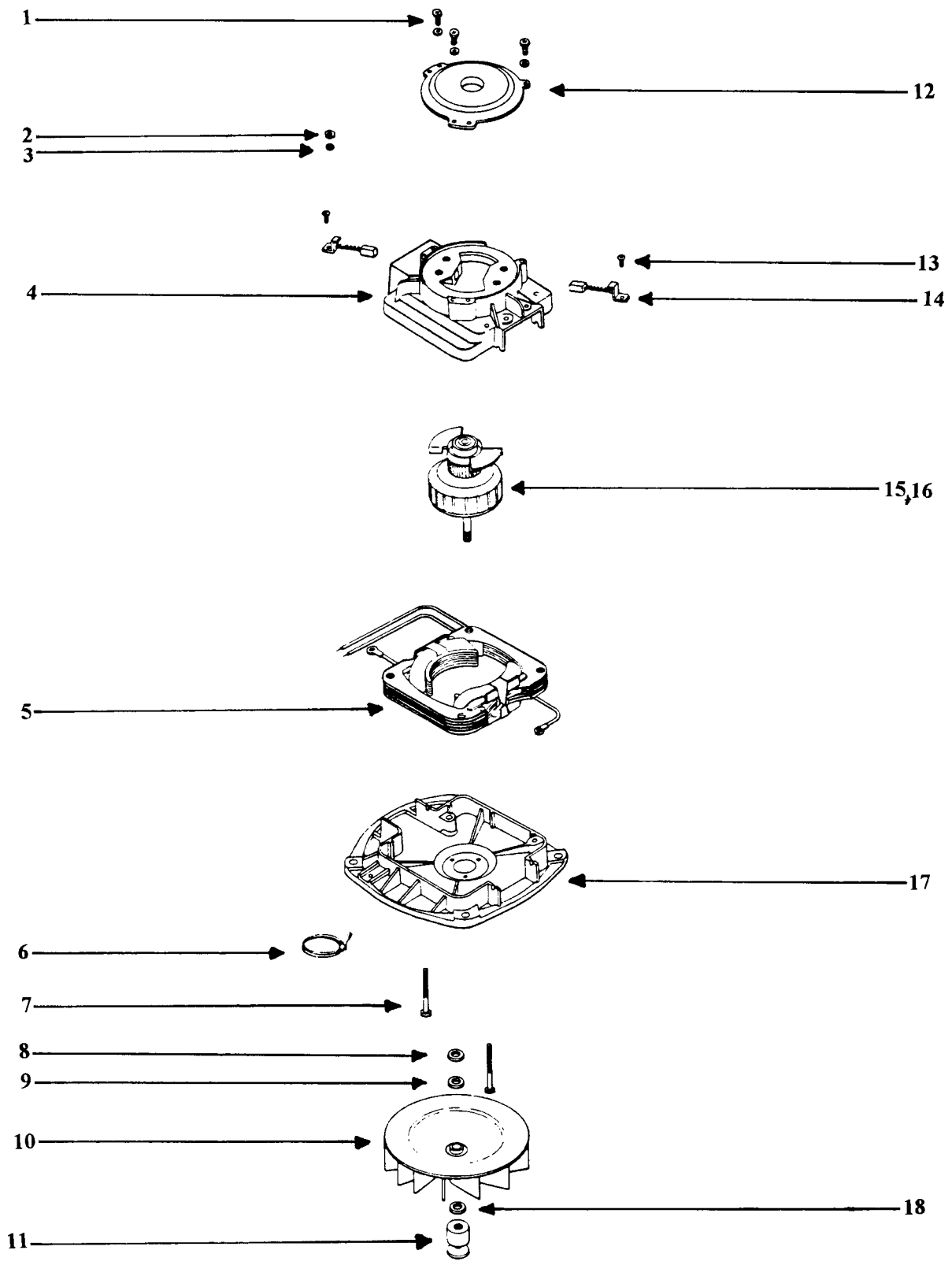
## SC684F

| ITEM# | PART#       | DESCRIPTION                          |
|-------|-------------|--------------------------------------|
| 1.    | 26296-9     | FURNITURE GUARD                      |
| 2.    | 53121       | PUSH NUT (PKG. OF 10 2 USED)         |
| 3.    | * 37234-1   | WHEEL & AXLE ASS'Y                   |
|       | 37183       | REAR AXLE ONLY                       |
| 4.    | 53201       | AXLE CLAMP                           |
| 5.    | 53238-11    | SCREW (PKG. OF 10 4 USED)            |
| 6.    | 35947A      | FRONT AXLE                           |
| 7.    | 52100       | WHEEL PKG. OF 2 (30563A SINGLE BELT) |
| 8.    | ** 53270    | DISTURBULATOR ASS'Y. COMPLETE        |
| 9.    | 46538       | FOAM TAPE                            |
| 10.   | 53110       | WHEEL WASHER (PKG. OF 10 2 USED)     |
| 11.   | 26242-1     | REAR WHEEL                           |
| 12.   | 53076-2     | AXLE SPRING (PKG. OF 6 1 USED)       |
| 13.   | 35859A-1    | FRONT WHEEL                          |
| 14.   | 52282-4     | BRISTLE STRIP ASS'Y.                 |
| 15.   | 13236-3     | DISTURBULATOR TUBE                   |
| 16.   | 53184       | KLIPRING (PKG. OF 10 2 USED)         |
| 17.   | 54256       | BEARING RETAINER                     |
| 18.   | 26057A      | DISTURBULATOR CAP                    |
| 19.   | 26059A      | CAP COVER                            |
| 20.   | 53158       | LOCK NUT (PKG. OF 10 2 USED)         |
| 21.   | 49899       | WASHER (2 USED)                      |
| 22.   | 25937       | SHAFT                                |
| 23.   | *** 25922-1 | BOTTOM PLATE                         |

\* ITEM 3 INCLUDES ITEMS 2 & 11

\*\* ITEM 8 INCLUDES ITEMS 14,15,16,17,18,19,20,21 & 22

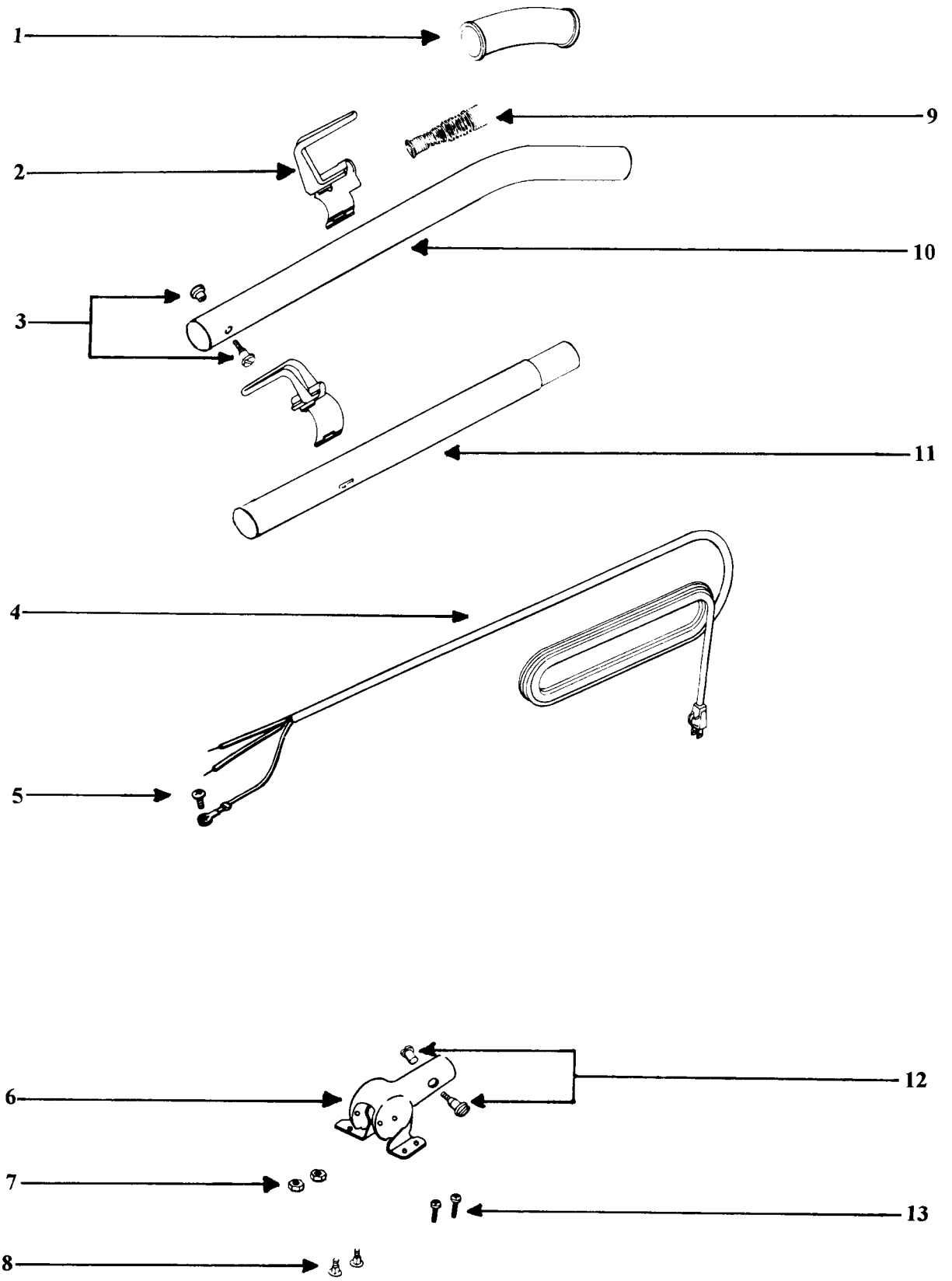
\*\*\* ITEM 23 INCLUDES ITEM 9



## SC684F

| ITEM# | PART#     | DESCRIPTION                               |
|-------|-----------|---|
| 1.    | 53138     | RETAINER SCREW                            |
| 2.    | 53213-4   | HEX NUT (PKG. OF 10 24 USED)              |
| 3.    | 53222-3   | LOCKWASHER (PKG. OF 5)                    |
| 4.    | 54396     | MOTOR COVER                               |
| 5.    | 53441-2   | FIELD ASS'Y.                              |
| 6.    | 56802-2   | CABLE TIE                                 |
| 7.    | 53142     | ORLO THD. SCREW (PKG. OF 10 2 USED)       |
| 8.    | 53188-1   | WASHER (PKG. OF 10 1 USED)                |
| 9.    | 53148     | FAN WASHER (PKG. OF 10 1 USED)            |
| 10.   | 12988     | FAN                                       |
| 11.   | 37012-2   | PULLEY                                    |
| 12.   | 20217E    | RETAINER ASS'Y.                           |
| 13.   | 53219-2   | BRUSH SCREW (PKG. OF 10 2 USED)           |
| 14.   | 30478     | MOTOR BRUSH ASS'Y. (2 USED)               |
| 15.   | * 54395-4 | ARMATURE & FAN ASS'Y.                     |
| 16.   | 30474A    | FAN                                       |
| 17.   | 54169-1   | MOTOR BASE ASS'Y (INCLUDES THE FOLLOWING) |
|       | 42875     | BEARING & RETAINER                        |
|       | 53088-1   | BEARING (PKG. OF 5)                       |
|       | 53187-1   | RIVET (PKG. OF 10)                        |
| 18.   | 53148     | FAN WASHER (PKG. OF 10 1 USED)            |

\* ITEM 15 INCLUDES ITEM 16

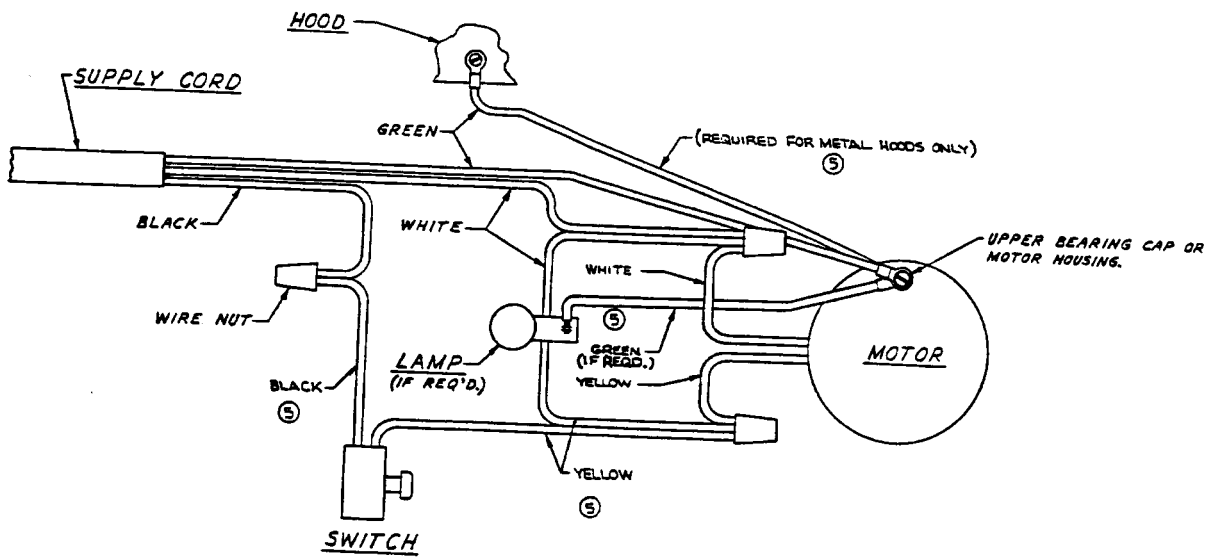
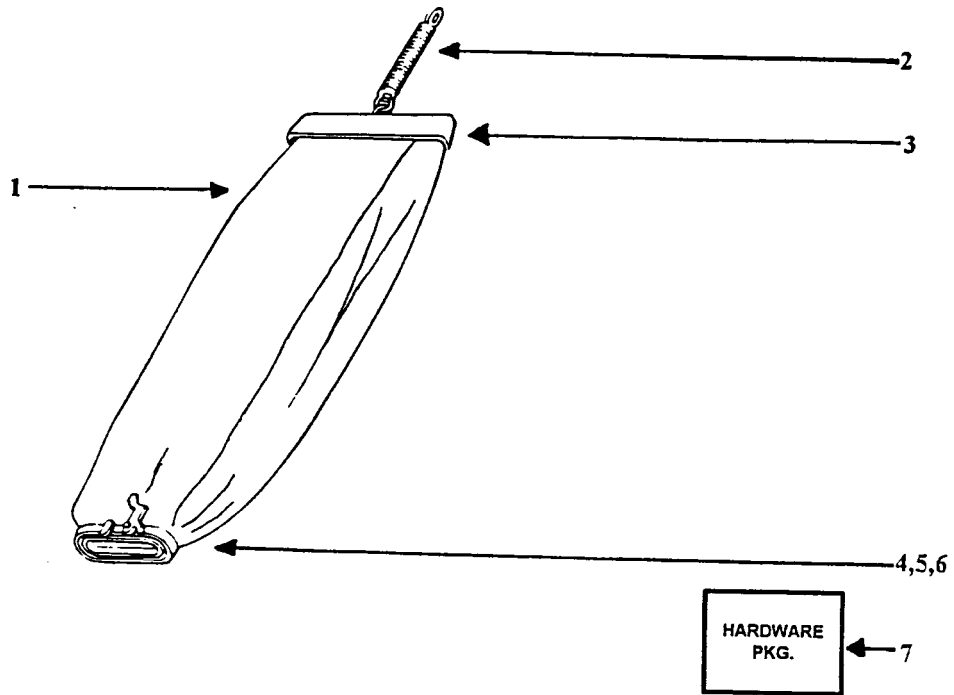




## SC684F

| ITEM# | PART#      | DESCRIPTION                           |
|-------|------------|---------------------------------------|
| 1.    | 35293-8    | HANDLE GRIP                           |
| 2.    | 53574-1    | CORD RETAINER SET                     |
| 3.    | 53198-1    | SCREW & NUT ASS'Y. (PKG. OF 6 1 USED) |
| 4.    | 52370-12   | SUPPLY CORD                           |
| 5.    | 53228-2    | SCREW (PKG. OF 10 1 USED)             |
| 6.    | 38183-1    | HANDLE SOCKET ASS'Y.                  |
| 7.    | 53213-5    | NUT (PKG. OF 10 2 USED)               |
| 8.    | 53145      | BOLT (PKG. OF 10 2 USED)              |
| 9.    | 38495      | SPRING                                |
| 10.   | * 25329-20 | UPPER HANDLE ASS'Y.                   |
| 11.   | 12637-8    | LOWER HANDLE TUBE                     |
| 12.   | 53198-1    | SCREW & NUT ASS'Y. (PKG. OF 6 1 USED) |
| 13.   | 53238-13   | SCREW (PKG. OF 10 2 USED)             |

\* ITEM 10 INCLUDES ITEM 1



36575 WIRING DIAGRAM

## SC684F

| ITEM# |    | PART#     | DESCRIPTION   |
|-------|----|-----------|---|
| 1.    | *  | 54582-1   | BAG ASSEMBLY COMPLETE   |
| 2.    |    | 47722     | SPRING  |
| 3.    |    | 30599D-10 | BAG CLIP  |
| 4.    | ** | 54174-1   | BAG ADAPTER ASS'Y.  |
| 5.    |    | 48282     | GASKET  |
| 6.    |    | 48748     | WASHER  |
| 7.    |    | 49461A    | HARDWARE PACKAGE (INCLUDES THE FOLLOWING)<br>1 CORD RETAINER SET<br>2 HANDLE & SCREW ASS'Y. |
|       | *  | ITEM 1    | INCLUDES ITEM 2,3,4,5 & 6   |
|       | ** | ITEM 4    | INCLUDES ITEM 5 & 6   |